

D-Fuses

European Standard



Voltage ratings: AC 400 V – DC 250 V
AC 500 V – DC 500 V

Current ratings: 0.5 A to 200 A

Class: gG/gL

Standards: IEC 60 269-3-1
DIN VDE 0636 Part 301
DIN 49515 / 49360 /
49365 / 49522

Systems: ND - AC 500 V - DIN 49360
D - AC 500 V - DIN 49515
DO - AC 400 V - DIN 49522

Features / Benefits

- ▶ Non-interchangeability of fuse-links because of the graduated diameter of the bottom contacts, corresponding to the fixed diameter of the gauge piece.

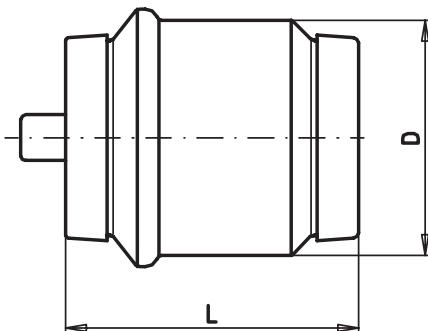


D Fuses
European Standard

gG/gL

Type D V H	Rated Voltage AC 500 V	Size R 2"	Standard DIN 49515
----------------------	----------------------------------	---------------------	------------------------------

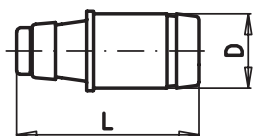
Rated Current [A]	Part No.	Weight [kg/100]	Pack
125	10 010 04.125	23.1	10
160	10 010 04.160	23.1	10
200	10 010 04.200	23.1	10



D	1.80" (46 mm)
L	1.97" (50 mm)

Type D 01	Rated Voltage AC 400 V	Size E 14	Standard DIN 49522
---------------------	----------------------------------	---------------------	------------------------------

Rated Current [A]	Part No.	Weight [kg/100]	Pack
1	10 027 04.1	0.62	50
2	10 027 04.2	0.62	50
4	10 027 04.4	0.62	50
6	10 027 04.6	0.62	50
10	10 027 04.10	0.62	50
16	10 027 04.16	0.62	50



D	0.43" (11 mm)
L	1.42" (36 mm)