

Datasheet

Nominal Capacity 9Ah
(1mA ,*25°C 2V cut off.The capacity restored by the cell varies according to current drain, temperature and cut-off)

Nominal Voltage 3.6V

Max.Continuous current 150mA

Max.Pulse current 300mA

Storage(recommended) Max 30°C
(For more severe conditions.consult Ramway)

Operating Temperature Range - 60°C ~ +85°C
(Operation at temperature different from ambient may lead to reduced capacity and lower voltage plateau readings)

Weight Approx.55g



Size : C

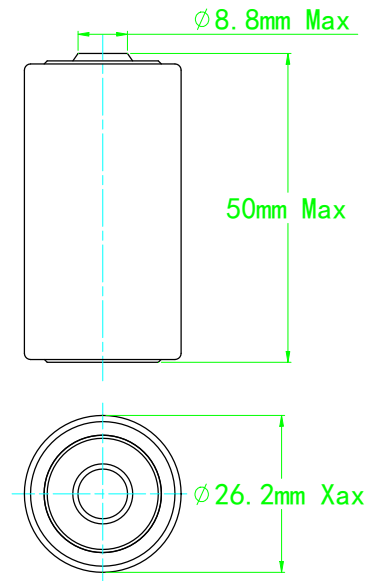
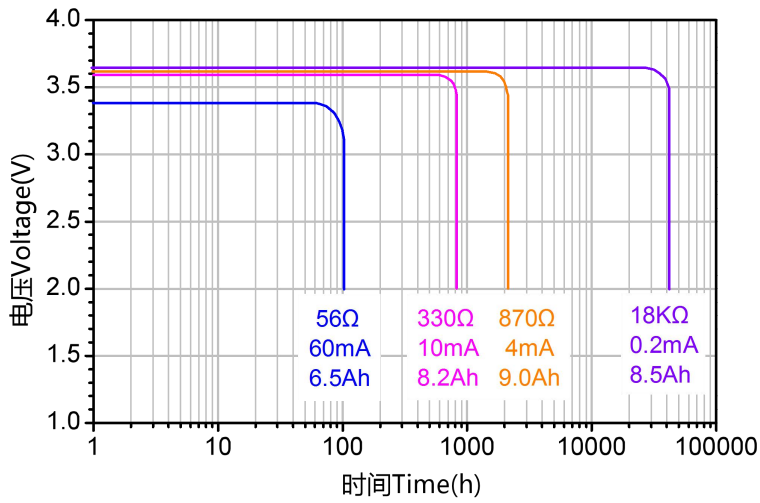
KEY FEATURES

- High and stable operating voltage
- Low self discharge rate(less than 1% after 1 year of storage at 25°C)
- Long storage life
- Stainless steel container(with low magnet)
- Widely operating temperature range
- Hermetic glass-to-metal sealing
- Non-flammable electrolyte
- CE,UL,SGS recognized,ISO9001 approved

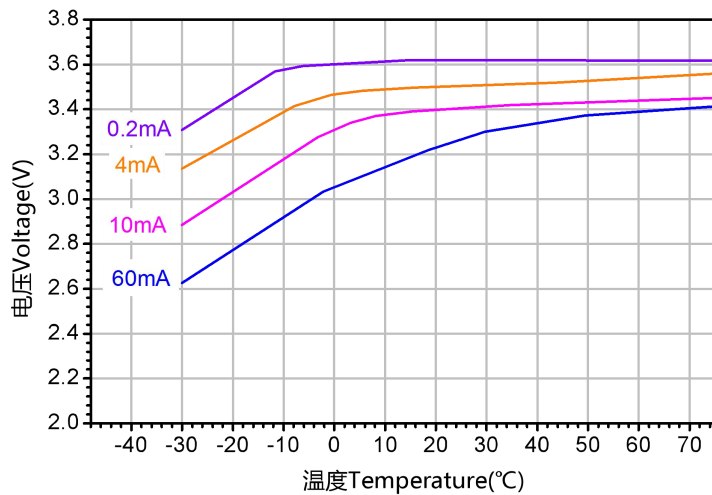
APPLICATION

- Utility metering
- Memory back-up
- Alarms and security devices
- Tollgate systems
- Military electronics
- Automotive electronics
- Professional electronics
- GPS tracking
- Real time clock

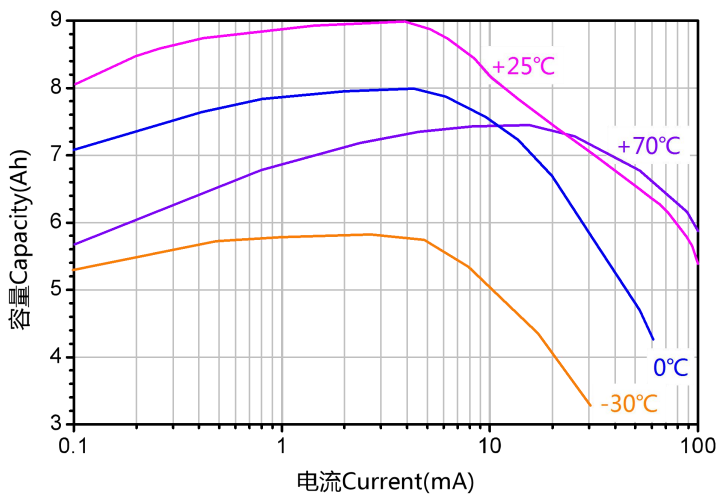
Discharge Characteristics (+25°C)



Voltage Versus Temperature



Capacity Versus Current



Warning

It is strictly forbidden to have the battery positive and negative short circuit, charging, discharging, heating over 100 °C, remove, anatomy, or may cause explosion, combustion, internal acid leakage.

Do not solder directly on the battery, should use wire or nickel sheet by pre spot welded.

Can not mixed use with old and new battery or mixed use different kinds battery.

Don't assemble the batteries from different manufacturers.

Do not use the battery over the temperature range.

Discharged battery should be buried deeply in the ground.