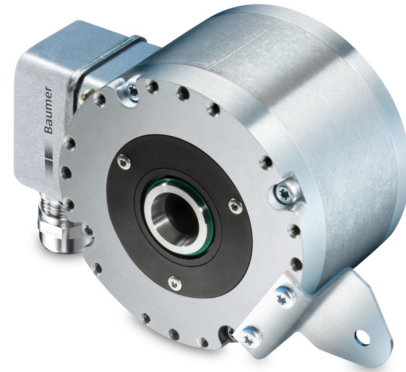


HOG 86E

Insulated blind hollow shaft $\varnothing 12 \dots 16$ mm, cone shaft $\varnothing 17$ mm
500...2500 pulses per revolution

Overview

- Robust, compact housing
- Two bearings with large distance, one at each end
- High shaft load up to 450 N
- Shaft insulation up to 2.8 kV
- Highest operating speed 10000 rpm
- TTL output driver for cable length up to 550 m
- Terminal box, turn by 180°



HUBNER
BERLIN
A Baumer Brand

Technical data

Technical data - electrical ratings

Voltage supply	9...30 VDC 5 VDC ± 5 %
Consumption w/o load	≤ 100 mA
Pulses per revolution	500 ... 2500
Phase shift	90 ° ± 20 °
Duty cycle	45...55 %
Reference signal	Zero pulse, width 90°
Sensing method	Optical
Output frequency	≤ 170 kHz ≤ 300 kHz (on request)
Output signals	K1, K2, K0 + inverted
Output stages	HTL-P (power linedriver) TTL/RS422
Shaft insulation	Suitable up to 2.8 kV
Transmission length	≤ 350 m at 100 kHz (HTL-P) ≤ 550 m at 100 kHz (TTL)
Interference immunity	EN 61000-6-2
Emitted interference	EN 61000-6-3
Approval	CE UL approval / E217823

Technical data - mechanical design

Size (flange)	$\varnothing 99$ mm
Shaft type	$\varnothing 12 \dots 16$ mm (blind hollow shaft) $\varnothing 17$ mm (cone shaft 1:10)

Technical data - mechanical design

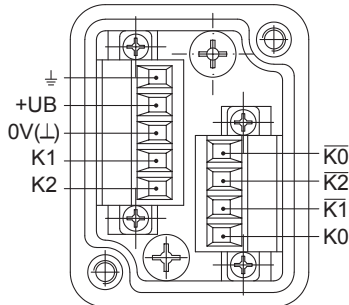
Admitted shaft load	≤ 350 N axial ≤ 450 N radial
Motor shaft tolerance	0.2 mm radial
Protection EN 60529	IP 66
Operating speed	≤ 10000 rpm (mechanical)
Operating torque	≤ 6 Ncm
Rotor moment of inertia	160 gcm ²
Material	Housing: aluminium Shaft: stainless steel
Operating temperature	-40...+100 °C
Resistance	IEC 60068-2-6 Vibration 20 g, 10-2000 Hz IEC 60068-2-27 Shock 250 g, 6 ms
Corrosion protection	IEC 60068-2-52 Salt mist for ambient conditions C4 according to ISO 12944-2 (only with option C4)
Explosion protection	II 3 G Ex ec IIC T4 Gc (gas) II 3 D Ex tc IIIC T135°C Dc (dust) (only with option ATEX)
Connection	Terminal box Flange connector M23, 12-pin
Weight approx.	1.3 kg

HOG 86E

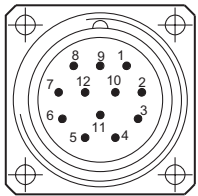
Insulated blind hollow shaft $\varnothing 12 \dots 16$ mm, cone shaft $\varnothing 17$ mm
500...2500 pulses per revolution

Terminal assignment

View A (see dimension)
Connecting terminal terminal box



View B (see dimension)
Assignment flange connector



Flange connector M23,
male, 12-pin,
clockwise (CW)

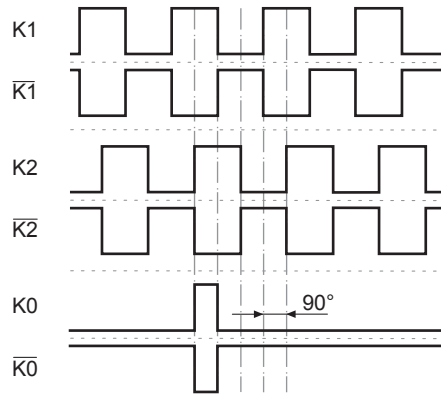
Pin	Assignment
1	K2
2	dnu
3	K0
4	$\overline{K0}$
5	K1
6	$\overline{K1}$
7	dnu
8	K2
9	dnu
10	0V (\perp)
11	dnu
12	+UB

Terminal significance

+UB	Voltage supply
0V (\perp)	Ground
\perp	Earth ground (housing)
K1	Output signal channel 1
$\overline{K1}$	Output signal channel 1 inverted
K2	Output signal channel 2 (offset by 90° to channel 1)
$\overline{K2}$	Output signal channel 2 inverted
K0	Zero pulse (reference signal)
$\overline{K0}$	Zero pulse inverted
dnu	Do not use

Output signals

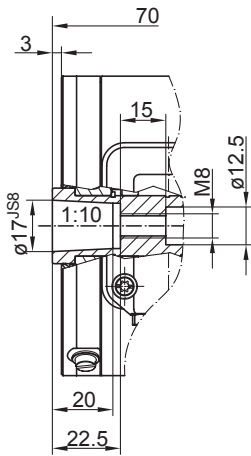
HTL/TTL
At positive rotating direction (see dimension)



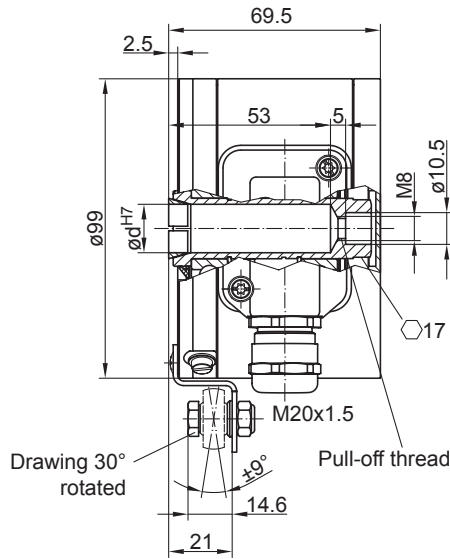
HOG 86E

Insulated blind hollow shaft $\varnothing 12 \dots 16$ mm, cone shaft $\varnothing 17$ mm
500...2500 pulses per revolution

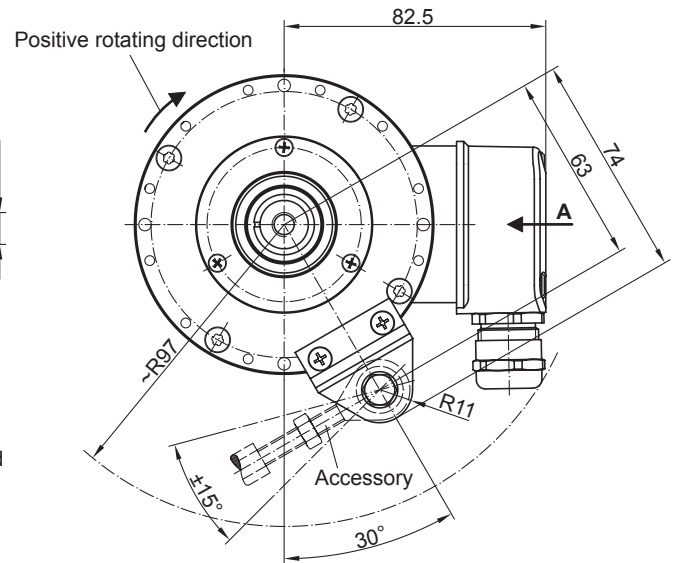
Dimensions



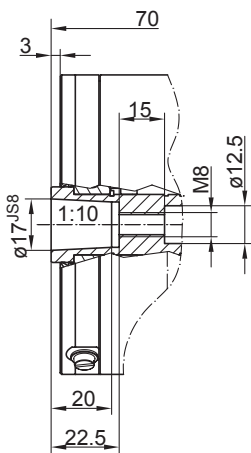
Cone shaft



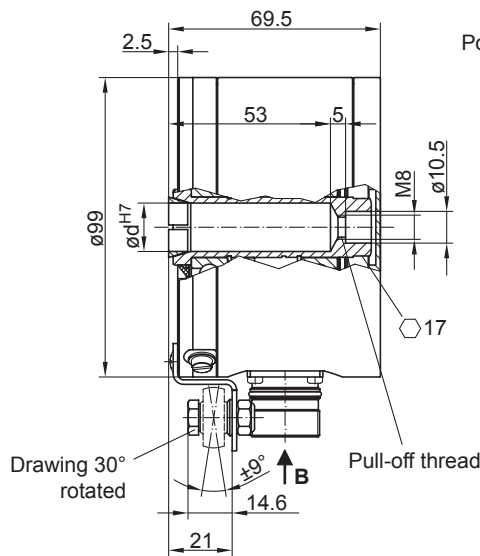
Blind hollow shaft



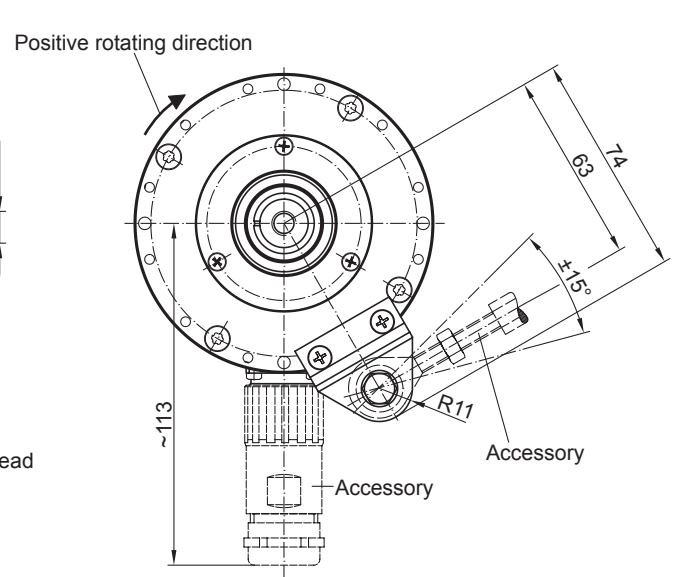
HOG 86E T - Version mit radialem Klemmenkasten



Cone shaft



Blind hollow shaft



HOG 86E F - Version with radial flange connector M23

HOG 86E

 Insulated blind hollow shaft $\varnothing 12 \dots 16$ mm, cone shaft $\varnothing 17$ mm
 500...2500 pulses per revolution

Ordering reference

	HOG86E	#	P	#	DN	####	###	##
Product	Incremental encoder	HOG86E						
Connection	1x terminal box, radial		T					
	1x flange connector M23, radial		F					
Insulation	PA insulated		P					
Shaft diameter	Blind hollow shaft $\varnothing 12$ mm, fit H7				2			
	Blind hollow shaft $\varnothing 16$ mm, fit H7				6			
	Blind hollow shaft $\varnothing 12$ mm, fit F6				9			
	Blind hollow shaft $\varnothing 16$ mm, fit G7				8			
	Cone shaft $\varnothing 17$ mm (1:10)				7			
Output signals	K1, K2, K0 + inverted				DN			
Pulse number⁽¹⁾	500					500		
	512					512		
	1000					1000		
	1024					1024		
	1250					1250		
	2048					2048		
	2500					2500		
Voltage supply / output stage	9...30 VDC / output stage HTL with inverted signals							I
	5 VDC / output stage TTL with inverted signals							T
	9...30 VDC / output stage TTL with inverted signals							R
Corrosion protection	Without							
	Suitable for ambient conditions C4 according to ISO 12944-2							C4

(1) Other pulse numbers on request.

Accessories

Mounting accessories

11071906	Mounting kit earthing strap
11077087	Mounting and dismounting set
11043628	Torque arm M6, length 67...70 mm
11004078	Torque arm M6, length 120...130 mm (≥ 71 mm)
11002915	Torque arm M6, length 425...460 mm (≥ 131 mm)
11054917	Torque arm M6 insulated, length 67...70 mm
11072795	Torque arm M6 insulated, length 120...130 mm (≥ 71 mm)
11082677	Torque arm M6 insulated, length 425...460 mm (≥ 131 mm)
11071904	Mounting kit for torque arm size M6