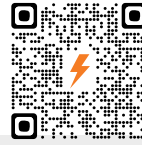


## Rotary Incremental Encoders - IE58S

Solid Shaft with Clamping or Synchro Flange



### Features

- Body Diameter 58 mm
- Optical Sensing
- Output Signal Interface HTL or TTL
- Clamping or Synchro Flange
- Connection Type: 2M / 5M Cable; M23 12 Pin Connector
- Radial or Axial Connection Outlet
- Pulses per Revolution up to 5000 ppr
- Degree of Protection IP 65
- Shaft Load: Axial - 60 N; Radial - 120 N

### Basic & Electrical Data

Series	IE58S
Type	Rotary Incremental Encoder
Maximum Resolution	5000 ppr
Circuit Protection	Polarity reversal protection Short circuit protection
Supply Voltage $U_B$	5 to 28 VDC
Open-circuit Current	0 to 150 mA
Switching Frequency	300,000 Hz
Output Signal	TTL or HTL (A+, A-, B+, B-, Z+, Z-)

### Classifications

ECLASS 5.1.4	27270501
ECLASS 8.0	27270501
ECLASS 9.0	27270501
ECLASS 10.0	27270501

### Mechanical Data

Body Diameter	58 mm
Flange Diameter	58 mm
Housing Material	Aluminium
Solid Shaft Material	Stainless Steel
Flange Type	Clamping or Synchro
Shaft Dimensions	Ø10 mm x L 20 mm (Clamping Flange) Ø6 mm x L 10 mm (Synchro Flange)
Start-up Torque	0.5 N·m
Shaft Load - Axial	60 N
Shaft Load - Radial	120 N
Max. Operating Speed	6000 r/min
Ambient Temperature	Operation: -40 to 70°C Storage: -40 to 70°C
Degree of Protection	IP 65
Standards Applied	IEC 61000-6-2:2016 IEC 61000-6-4:2016 + A1
Vibration Test Procedures	10g IEC 68-2-6 (10...2000 Hz)
Cable Connection	2 or 5 Meters PVC Shielded Cable (8 wires x 0.14 mm <sup>2</sup> ), Radial or Axial Outlet
Flange Connector	M23 12-Pin, Radial or Axial Outlet
Weight	200 g - 300 g

www.ElectroWebStore.com  
WhatsApp: +91-70210 14510

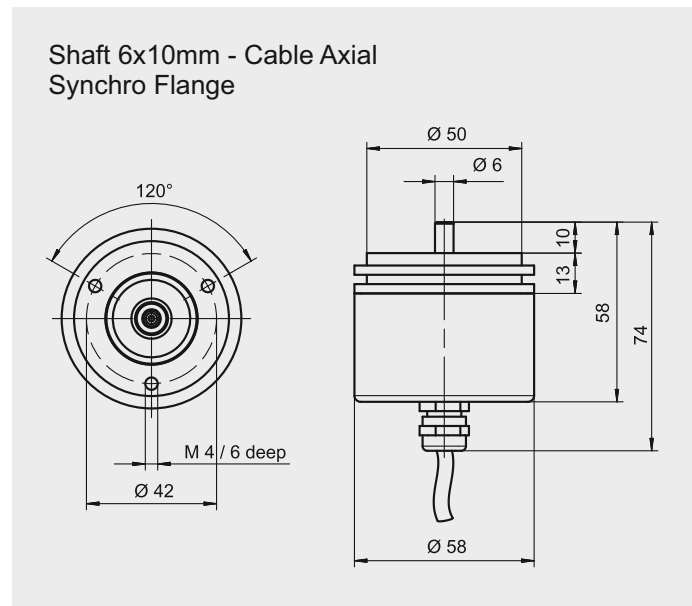
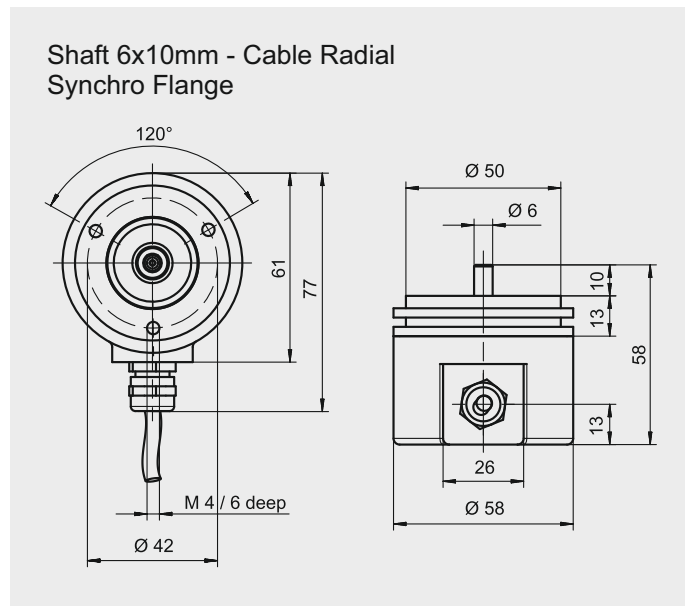
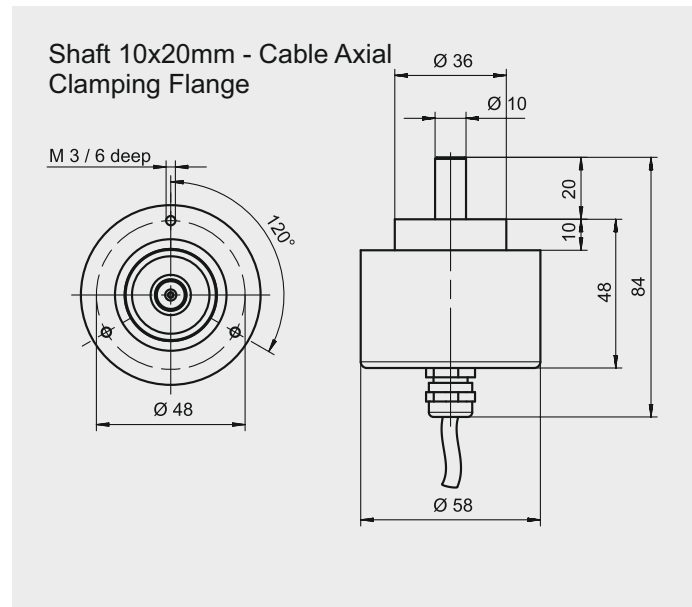
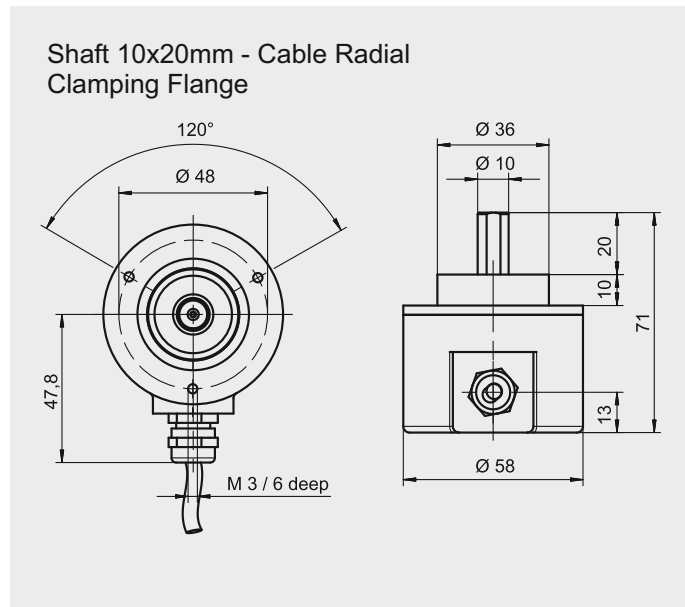
# INDIAN EQUIPMENT COMPANY

"Indian Equipment Company" shall not be liable for technical or editorial errors or omissions contained herein, nor for incidental or consequential damages resulting from the furnishing, performance or use of this material. • The Manufacturer reserves the right to modify technical or dimensional features in the interest of technological advances.  
All Trademarks are the property of their owners. No part of this Catalogue may be printed or reproduced in any form without the written permission of "Indian Equipment Company." All rights reserved.

## Rotary Incremental Encoders - IE58S

Solid Shaft with Clamping or Synchro Flange

**Dimensional Drawings** (All Dimensions in mm)



### Encoder - Cable Specifications

Type of Connection	Cable
Function	Signal OUT - Voltage Supply
Cable Length	2 Meters / 5 Meters
Connection Outlet	Radial / Axial
Sheathing Material	PVC
Cable Colour	Gray
No. of Conductors	8-Wires
Wire Cross Section	8 x 0.14 mm <sup>2</sup>

### Cable Version - Electrical Connection

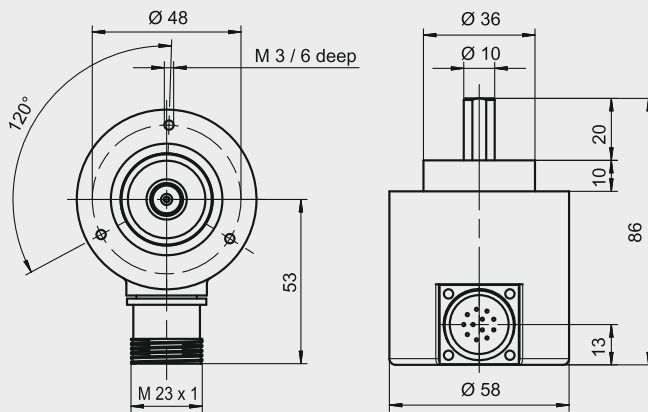
Conductor	Assignment
Brown	UB / +ve / V+
White	GND / 0 V
Green	A
Yellow	A Inverted
Pink	B
Black	B Inverted
Blue	Z
Red	Z Inverted
Shield	⊕

## Rotary Incremental Encoders - IE58S

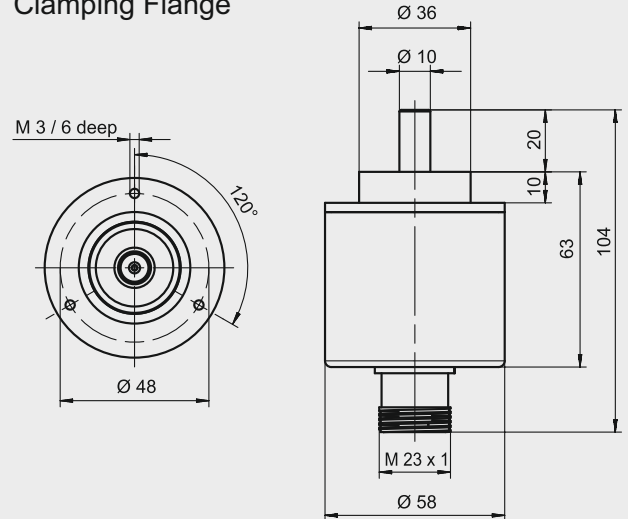
Solid Shaft with Clamping or Synchro Flange

**Dimensional Drawings** (All Dimensions in mm)

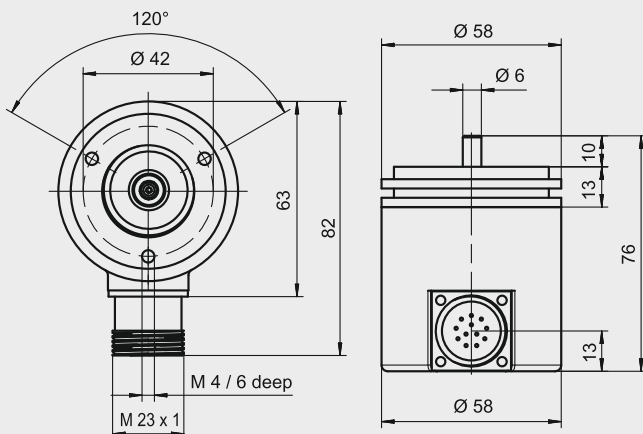
Shaft 10x20mm - M23 Male Connector Radial Clamping Flange



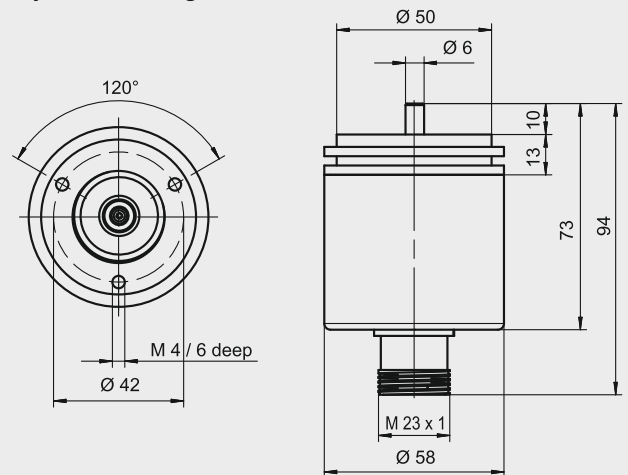
Shaft 10x20mm - M23 Male Connector Axial Clamping Flange



Shaft 6x10mm - M23 Male Connector Radial Synchro Flange

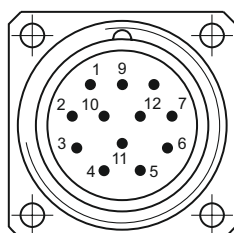


Shaft 6x10mm - M23 Male Connector Axial Synchro Flange



### Encoder - Connector Specifications

Type of Connection	Flange Connector (Male)
Function	Signal OUT - Voltage Supply
Connector Size	M23 (Male)
Number of Pins	12-Pin (CCW)



Connection Outlet	Radial / Axial
Material	Metal
<b>(Female mating Connector with Cable Assembly - OPTIONAL)</b>	

### Connector Version - Electrical Connection

M23 12-Pin Male Connector	
Pin No.	Pin Assignment
1	B Inverted
2	No Contact
3	Z
4	Z Inverted
5	A
6	A Inverted
7	No Contact
8	B
9	FE / Shield ⊕
10	GND / 0 V
11	No Contact
12	UB / +ve / V+

## Rotary Incremental Encoders - IE58S

Solid Shaft with Clamping or Synchro Flange

### Part Number Selection Guide

(Bold marked parameters are Standard Products)

IE58S - **C** **10** - **H** **C05** **R** - **1024** - **65**

**Protection**  
IP65

**PPR**  
See Table

**Outlet**  
**R** = Radial Outlet  
**A** = Axial Outlet

**Connection**  
**C02** = Cable Connection - 2 Meter  
**C03** = Cable Connection - 3 Meter  
**C05** = **Cable Connection - 5 Meter**  
**M23** = M23, 12 Pin Connector (Male, CCW)

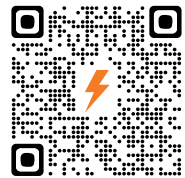
**Output Signal (Supply Voltage)**  
**H** = HTL (Supply 5-28 V DC)  
**T** = TTL (Supply 5-28 V DC)

**Shaft**  
**10** = Ø10 x 20 mm Shaft Length (Available in C = Clamping Flange Version only)  
**08** = Ø08 x 20 mm Shaft Length (Available in C = Clamping Flange Version only)  
**06** = Ø06 x 10 mm Shaft Length (Available in S = Synchro Flange Version only)

**Flange**  
**C** = Clamping Flange  
**S** = Synchro Flange

Solid Shaft Driven

Incremental Encoder Body Dia. 58 mm



### Pulses per Revolution (ppr)

100	300	720	<b>1250</b>	<b>2500</b>
120	<b>360</b>	800	1440	3000
150	400	900	1500	<b>3600</b>
200	500	<b>1000</b>	1800	4000
250	512	<b>1024</b>	2000	<b>4096</b>
<b>256</b>	600	1200	<b>2048</b>	<b>5000</b>

(Bold marked ppr ratings are Standard Products)

Marketed By :

# INDIAN EQUIPMENT COMPANY



293 Princess Street,  
#S/3 Sopariwala House, Gr. Floor,  
Mumbai 400 002, MH. INDIA.  
Tel.: +91-22-66337192/93 / 35131590

Email : sales@electrowebstore.com  
Websites : www.ElectroWebStore.com  
: www.ExpressFuses.com  
WhatsApp: +91-70210 14510

### Importer, Distributor & Stockist of:

Various types of Fuses from SIBA, Ferraz Shawmut, Bussmann, Jean-Muller, Siemens Sitor, ETI, Italweber, etc.; Meanwell SMPS; CRYDOM SSR; Encoders; Absolute Encoders; Encoder Couplings; TADIRAN 3.6 V Thionyl Chloride Inorganic Lithium Batteries; etc.