

**Overview**

- emitter
- through beam sensor
- 10 m
- pulsed red LED
- connector M8 4 pin
- -25 ... 60 °C
- IP 67



Picture similar



**Technical data**

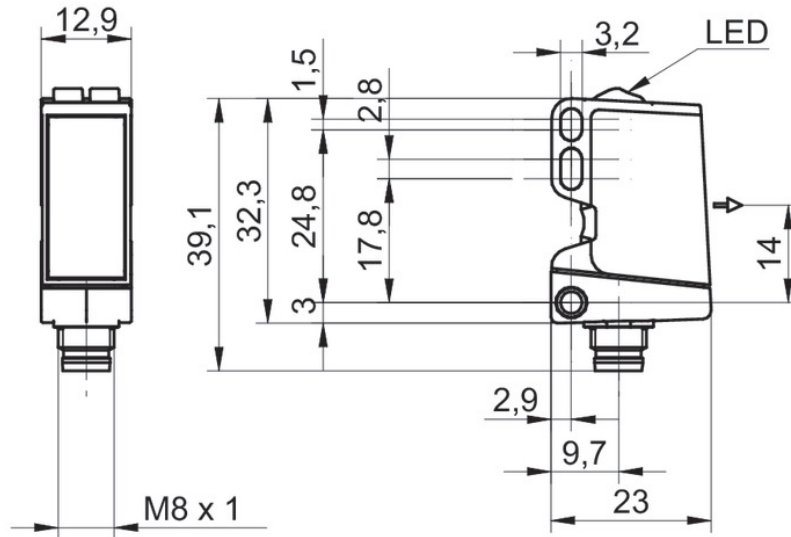
General data		Electrical data	
Type	Through beam sensor	Reverse polarity protection	Yes
Emitter / receiver	Emitter	Mechanical data	
Light source	Pulsed red LED	Width / diameter	12.9 mm
Actual range Sb	10 m	Height / length	32.3 mm
Nominal range Sn	15 m	Depth	23 mm
Power on indication	LED green	Type	Rectangular
Wave length	645 nm	Housing material	Plastic (ASA, PMMA)
Alignment optical axis	< 2°	Front (optics)	PMMA
Electrical data		Connection types	Connector M8 4 pin
Voltage supply range +Vs	10 ... 30 VDC	Ambient conditions	
Current consumption max. (no load)	40 mA	Operating temperature	-25 ... +60 °C
Current consumption typ.	30 mA	Protection class	IP 67

# O300.TR-ZZZZ.72N

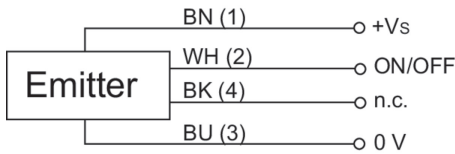
Through beam sensors - miniature

Article number: 11128022

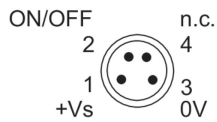
## Technical drawings



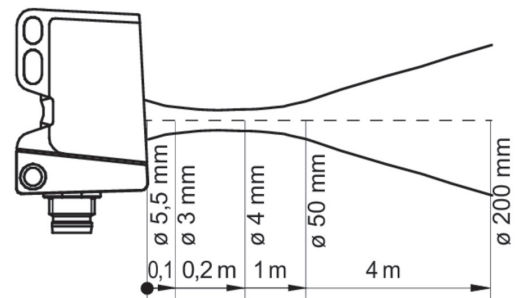
## Connection diagram



## Pin assignment



## Beam characteristic (typically)



## Excess gain curve

