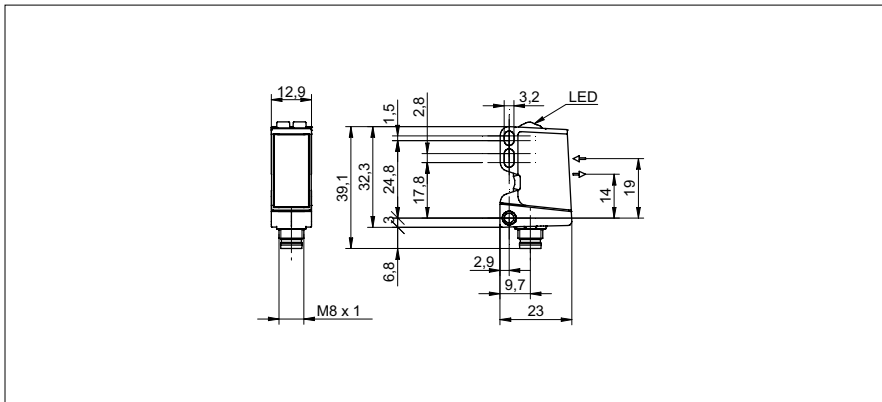


Retro-reflective sensors

O300.RR-GL1Z.72N-11110443

dimension drawing



general data

type	retro-reflective sensor
light source	pulsed red LED
actual range S_b	4 m
nominal range S_n	5 m
polarization filter	yes
light indicator	LED yellow
power on indication	LED green
sensitivity adjustment	no
wave length	630 nm
suppression of reciprocal influence	yes
alignment optical axis	< 2°

electrical data

response time / release time	< 0,49 ms
voltage supply range +Vs	10 ... 30 VDC
current consumption max. (no load)	30 mA
current consumption typ.	30 mA
voltage drop V_d	< 3 VDC
output function	light operate
output circuit	push-pull
output current	< 100 mA
short circuit protection	yes
reverse polarity protection	yes

mechanical data

width / diameter	12,9 mm
height / length	32,3 mm
depth	23 mm
type	rectangular
housing material	plastic (ASA, PMMA)
front (optics)	PMMA
connection types	connector M8 4 pin

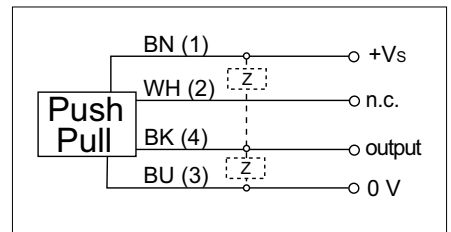
ambient conditions

operating temperature	-25 ... +60 °C
protection class	IP 67

photo



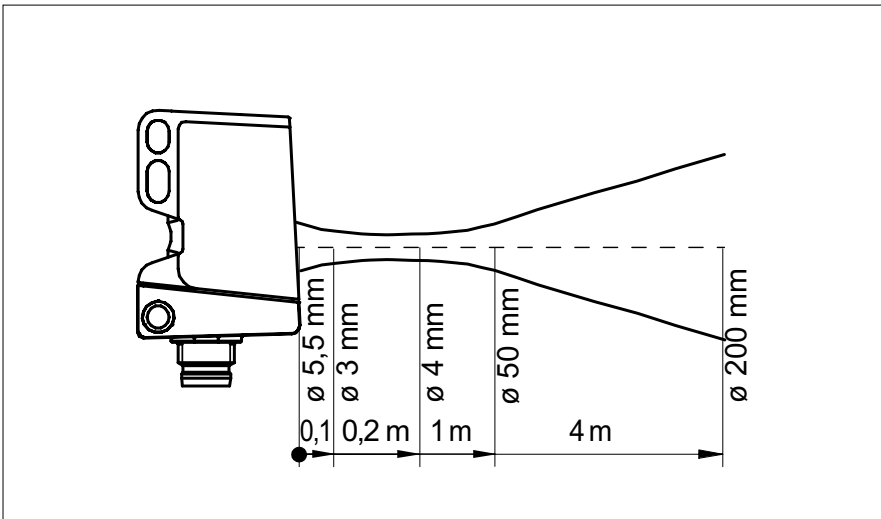
connection diagram



Retro-reflective sensors

O300.RR-GL1Z.72N-11110443

beam characteristic (typically)



excess gain curves

