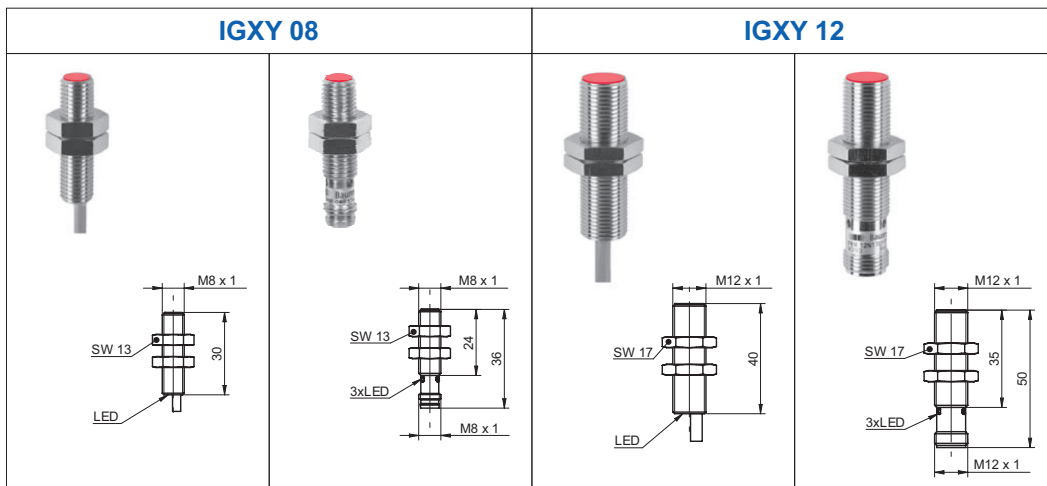
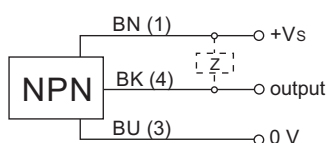
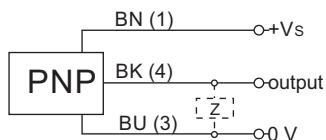




## Inductive Proximity Switch - IGYX

- Threaded Cylindrical Housing
- 3 Wires DC Version
- Uncompromising Accuracy
- Exceptional Reliability
- Economical Pricing
- Ex-Stock Deliveries



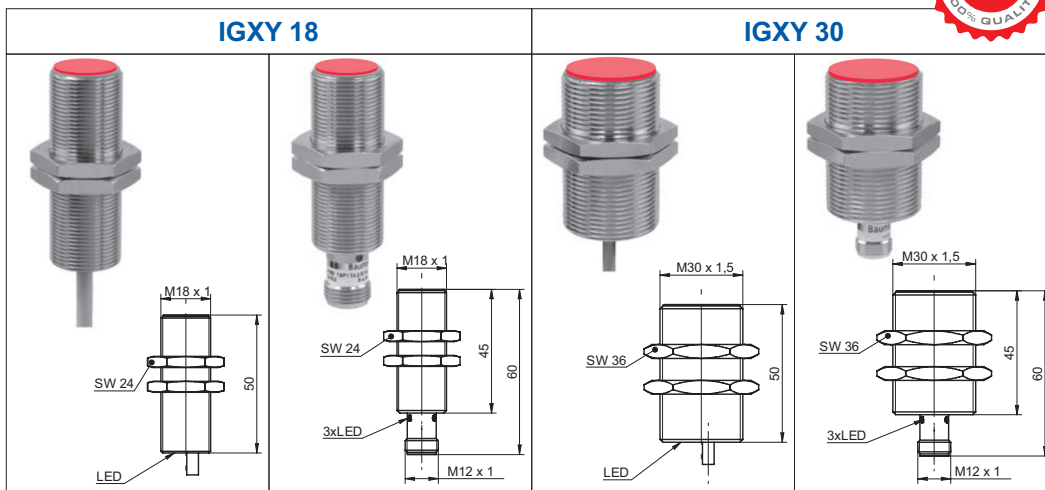
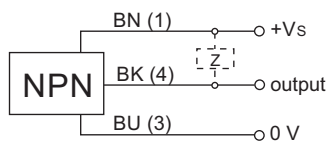
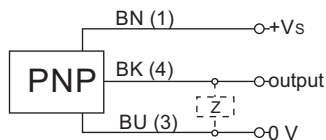
Output Circuit	2 Meter Cable Version	M8 Connector Version	2 Meter Cable Version	M12 Connector Version
PNP Make Function (NO)	<a href="#">IGYX 08P17B3/L</a>	<a href="#">IGYX 08P17B3/S35L</a>	<a href="#">IGYX 12P17B3/L</a>	<a href="#">IGYX 12P17B3/S14L</a>
PNP Break Function (NC)	<a href="#">IGYX 08P37B3/L</a>	<a href="#">IGYX 08P37B3/S35L</a>	<a href="#">IGYX 12P37B3/L</a>	<a href="#">IGYX 12P37B3/S14L</a>
NPN Make Function (NO)	<a href="#">IGYX 08N17B3/L</a>	<a href="#">IGYX 08N17B3/S35L</a>	<a href="#">IGYX 12N17B3/L</a>	<a href="#">IGYX 12N17B3/S14L</a>
NPN Break Function (NC)	<a href="#">IGYX 08N37B3/L</a>	<a href="#">IGYX 08N37B3/S35L</a>	<a href="#">IGYX 12N37B3/L</a>	<a href="#">IGYX 12N37B3/S14L</a>

General Data	
Mounting Type	Shielded (Flush)
Nominal Sensing Distance $S_n$	2 mm
Assured Sensing Distance $S_a$	1.6 mm
Temperature Drift	$\pm 10\%$ of $S_r$ (0 ... +60 °C)
Hysteresis	3 ... 20 % of $S_r$

Electrical Data	
Switching Frequency	< 3 kHz
Voltage Supply Range +Vs	10 ... 30 VDC
Current Consumption Max.	15 mA
Voltage Drop $V_d$	< 2.5 VDC
Output Current	< 200 mA
Short Circuit Protection	Yes
Reverse Polarity Protection	Yes

Mechanical Data	
Type	Cylindrical Threaded
Material (Sensing Face)	PBT, Red
Housing Material	Stainless Steel
Dimension (Dia.)	8 mm
Tightening Torque	5 Nm
Housing Length	30 mm
	36 mm
	40 mm
	50 mm

Ambient Conditions	
Operating Temperature	-25 ... +75 °C
Protection Class	IP 67



Output Circuit	2 Meter Cable Version	M12 Connector Version	2 Meter Cable Version	M12 Connector Version
PNP Make Function (NO)	<a href="#">IGYX 18P17B3/L</a>	<a href="#">IGYX 18P17B3/S14L</a>	<a href="#">IGYX 30P17B3/L</a>	<a href="#">IGYX 30P17B3/S14L</a>
PNP Break Function (NC)	<a href="#">IGYX 18P37B3/L</a>	<a href="#">IGYX 18P37B3/S14L</a>	<a href="#">IGYX 30P37B3/L</a>	<a href="#">IGYX 30P37B3/S14L</a>
NPN Make Function (NO)	<a href="#">IGYX 18N17B3/L</a>	<a href="#">IGYX 18N17B3/S14L</a>	<a href="#">IGYX 30N17B3/L</a>	<a href="#">IGYX 30N17B3/S14L</a>
NPN Break Function (NC)	<a href="#">IGYX 18N37B3/L</a>	<a href="#">IGYX 18N37B3/S14L</a>	<a href="#">IGYX 30N37B3/L</a>	<a href="#">IGYX 30N37B3/S14L</a>

**General Data**

Mounting Type	Quasi Shielded (Quasi Flush)	Shielded (Flush)
Nominal Sensing Distance $S_n$	8 mm	15 mm
Assured Sensing Distance $S_a$	6.4 mm	12 mm
Temperature Drift	$\pm 10\%$ of $S_r$ (0 ... +60 °C)	
Hysteresis	3 ... 20 % of $S_r$	

**Electrical Data**

Switching Frequency	< 400 Hz
Voltage Supply Range +Vs	10 ... 30 VDC
Current Consumption Max.	15 mA
Voltage Drop Vd	< 2.5 VDC
Output Current	< 200 mA
Short Circuit Protection	Yes
Reverse Polarity Protection	Yes

**Mechanical Data**

Type	Cylindrical Threaded			
Material (Sensing Face)	PBT, Red			
Housing Material	Brass Nickel Plated			
Dimension (Dia.)	18 mm		30 mm	
Tightening Torque	25 Nm		60 Nm	
Housing Length	50 mm	60 mm	50 mm	60 mm

**Ambient Conditions**

Operating Temperature	-25 ... +75 °C
Protection Class	IP 67

**Accessories: Connector Cable**
**Catalogue Number**
**Description**

For M8x1 Sensors	<a href="#">ESG 32SH0200-PL</a>	M8-3Pin, Straight Connector, 2 Meter PVC Cable
For M8x1 Sensors	<a href="#">ESW 31SH0200-PL</a>	M8-3Pin, Right Angle Connector, 2 Meter PVC Cable
For M8x1 Sensors	<a href="#">ESG 32SH0500-PL</a>	M8-3Pin, Straight Connector, 5 Meter PVC Cable
For M8x1 Sensors	<a href="#">ESW 31SH0500-PL</a>	M8-3Pin, Right Angle Connector, 5 Meter PVC Cable
For M12x1; M18x1; M30x1.5 Sensors	<a href="#">ESG 34SH0200-PL</a>	M12-3Pin, Straight Connector, 2 Meter PVC Cable
For M12x1; M18x1; M30x1.5 Sensors	<a href="#">ESW 33SH0200-PL</a>	M12-3Pin, Right Angle Connector, 2 Meter PVC Cable
For M12x1; M18x1; M30x1.5 Sensors	<a href="#">ESG 34SH0500-PL</a>	M12-3Pin, Straight Connector, 5 Meter PVC Cable
For M12x1; M18x1; M30x1.5 Sensors	<a href="#">ESW 33SH0500-PL</a>	M12-3Pin, Right Angle Connector, 5 Meter PVC Cable